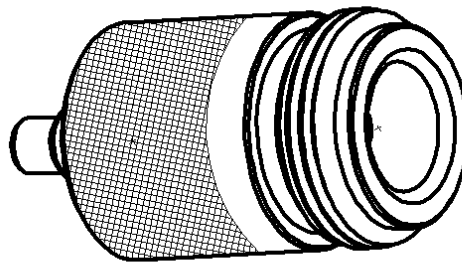
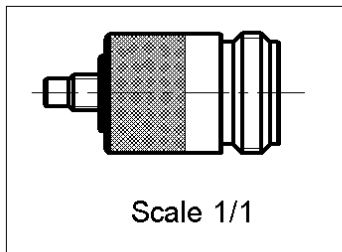
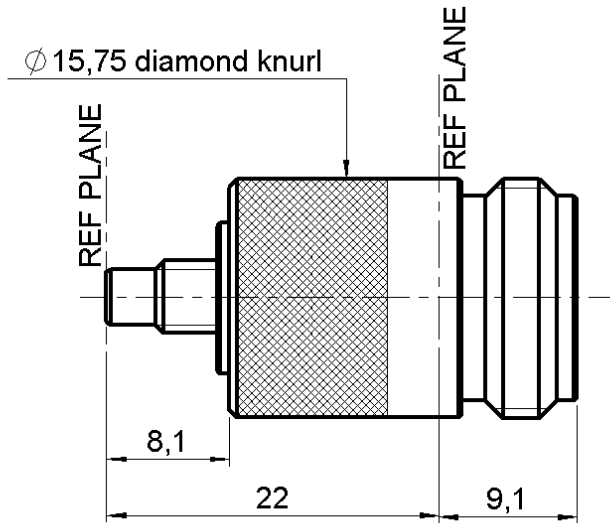


**SMC MALE - N FEMALE STRAIGHT ADAPTER**

**R191.143.000**

Série : ADAPT



All dimensions are in mm.



| COMPONENTS            | MATERIALS               | PLATINGS ( $\mu\text{m}$ )    |
|-----------------------|-------------------------|-------------------------------|
| <b>BODY</b>           | <b>BRASS</b>            | <b>NICKEL 2</b>               |
| <b>CENTER CONTACT</b> | <b>BERYLLIUM COPPER</b> | <b>GOLD 1.3 OVER NICKEL 2</b> |
| <b>OUTER CONTACT</b>  | -                       | -                             |
| <b>INSULATOR</b>      | <b>PTFE</b>             | -                             |
| <b>GASKET</b>         | -                       | -                             |
| <b>OTHERS PARTS</b>   | <b>BRASS</b>            | <b>NICKEL 2</b>               |
| -                     | -                       | -                             |
| -                     | -                       | -                             |

Issue : 0302 Q

In the effort to improve our products, we reserve the rights to make changes judged to be necessary.



**SMC MALE - N FEMALE STRAIGHT ADAPTER**

**R191.143.000**

Série : ADAPT

**PACKAGING**

**SPECIFICATION**

| Standard | Unit | Other             |
|----------|------|-------------------|
| <b>1</b> | -    | <b>Contact us</b> |

**ELECTRICAL CHARACTERISTICS**

**ENVIRONMENTAL**

|                                 |               |                              |
|---------------------------------|---------------|------------------------------|
| Impedance                       |               | <b>50</b> Ω                  |
| Frequency                       |               | <b>0-10</b> GHz              |
| VSWR                            | <b>1.30</b> + | <b>0.000</b> x F(GHz) Maxi   |
| Insertion loss                  |               | <b>0.125</b> √F(GHz) dB Maxi |
| RF leakage                      | - (           | <b>101</b> - F(GHz)) dB Maxi |
| Voltage rating                  |               | <b>335</b> Veff Maxi         |
| Dielectric withstanding voltage |               | <b>1000</b> Veff mini        |
| Insulation resistance           |               | <b>1000</b> MΩ mini          |

|               |                     |
|---------------|---------------------|
| Operating     | <b>-65/+125</b> °C  |
| Hermetic seal | <b>NA</b> Atm.cm3/s |
| Panel leakage | <b>NA</b>           |

**MECHANICAL CHARACTERISTICS**

**OTHERS CHARACTERISTICS**

|                            |            |                        |
|----------------------------|------------|------------------------|
| Center contact retention   |            |                        |
| Axial force – Mating end   |            | <b>10</b> N mini       |
| Axial force – Opposite end |            | <b>10</b> N mini       |
| Torque                     |            | <b>NA</b> N.cm mini    |
| Recommended torque         |            |                        |
| Mating                     | <b>SMC</b> | <b>0</b> N.cm          |
|                            | <b>N</b>   | <b>0</b> N.cm          |
|                            | <b>-</b>   | <b>0</b> N.cm          |
| Panel nut                  |            | <b>NA</b> N.cm         |
| Mating life                |            | <b>500</b> Cycles mini |
| Weight                     |            | <b>22.000</b> g        |

Issue : 0302 Q

In the effort to improve our products, we reserve the rights to make changes judged to be necessary.

